

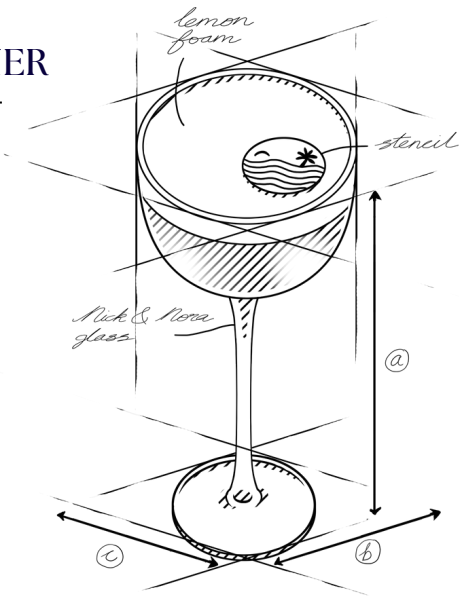
18

ENDLESS SUMMER

**BRIGHT  
TOASTED  
CRISP**



- Ketel One Vodka
- Roasted Peach
- Yogurt
- Ginger
- Curacao
- Cocchi Americano
- Lemon Foam



SIGNATURE  
COCKTAILS

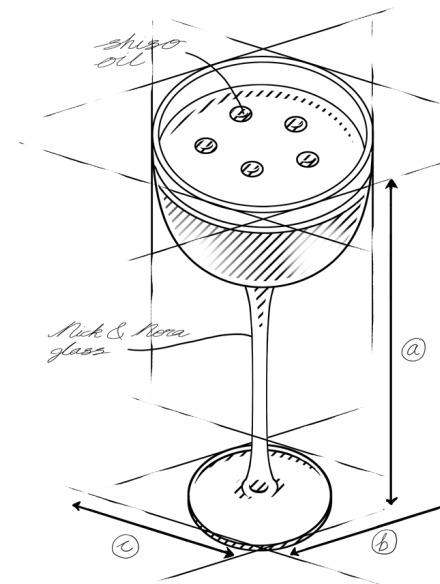
ON YOUR MIND

19

**CRISP  
SWEATER WEATHER  
BAKING SPICES**



- Roku Gin
- Poached Pear
- Shiso
- Pineau de Charentes
- Lustau Bianco

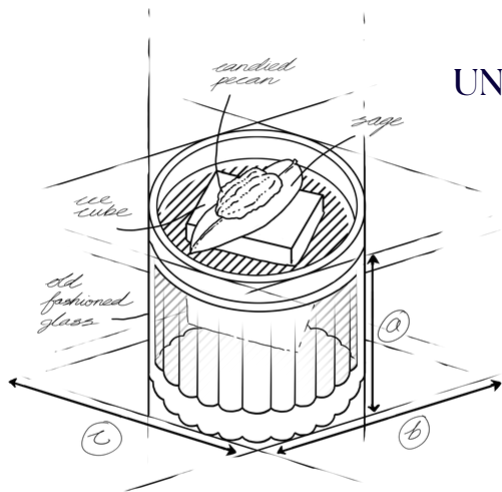


UNIVERSAL CONSTANT 20

**CLASSIC INSPIRED  
SAVORY  
SPIRIT FORWARD**



- Russell's 10 Year Bourbon
- Browned Butter
- Sage
- Amontillado
- Benedictine
- Pecan



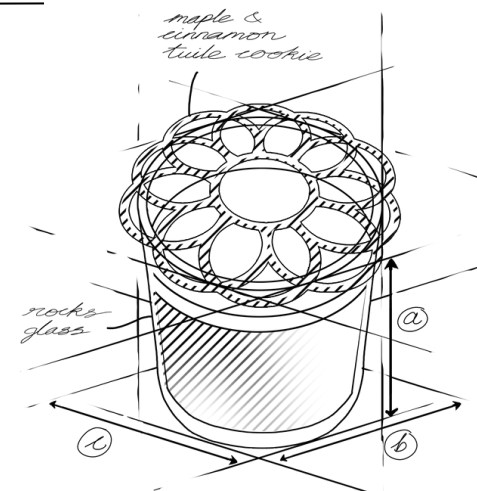
21

WELL'S SUPPER CLUB

**FLIP  
SAVORY  
LUXURIOUS**

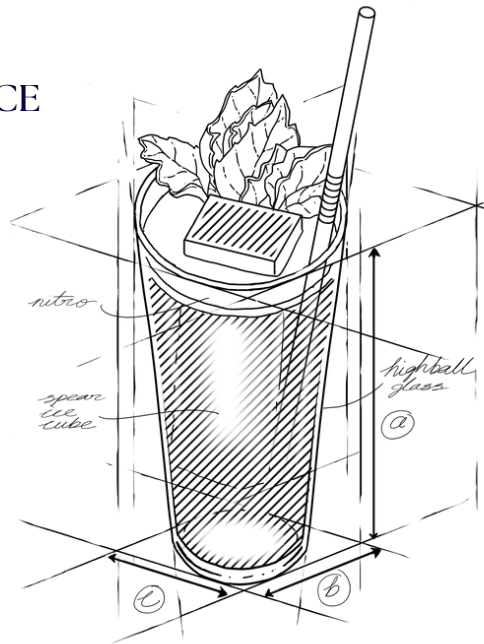


- Toki Japanese Whiskey
- Belgian Waffle
- Toasted Cream
- Maple
- Chicken
- Whole Egg



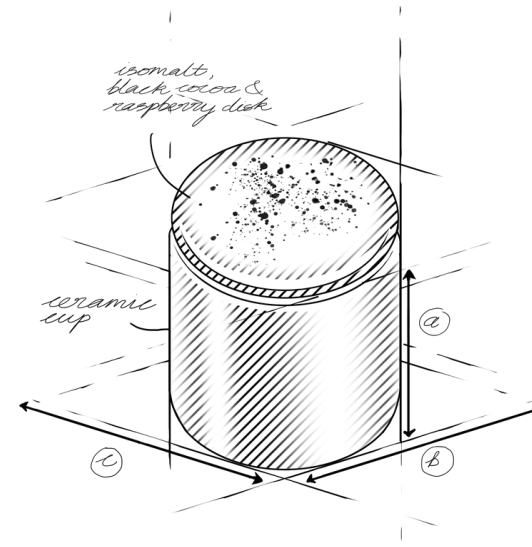
**COMPLEX  
BRIGHT  
HERBACEOUS**

- ◆◆◆  
 Patron Tequila  
 Leblon Cachaca  
 Green Curry  
 Cucumber  
 Suze  
 Lime  
 Agave  
 Absinthe



**SPIRIT FORWARD  
ADVENTEROUS  
LUXURIOUS**

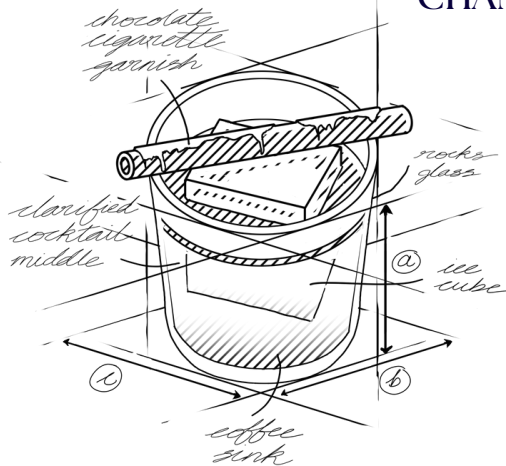
- ◆◆◆  
 R.L. Seale Rum  
 Johnnie Walker Black Label  
 Black Chanterelle  
 Raspberry  
 Oloroso Sherry  
 Dulce de Leche



**SIGNATURE  
COCKTAILS**

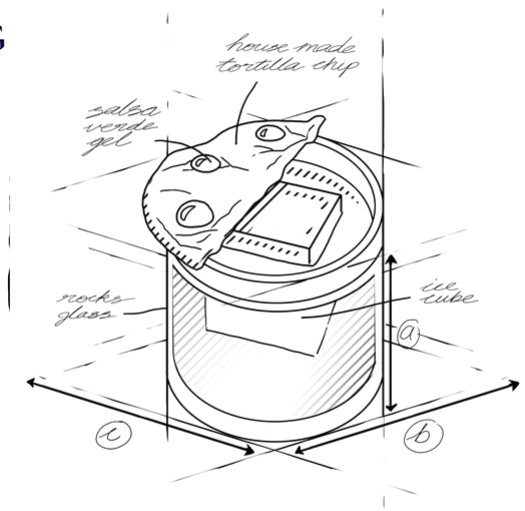
**CLARIFIED  
EXPERIMENTAL  
RICH**

- ◆◆◆  
 Lot 40 Rye Whiskey  
 Port  
 Donut  
 Espresso  
 Yogurt



**SAVORY  
SMOKY  
MILDLY SPICY**

- ◆◆◆  
 Montelobos Mezcal  
 Chili Crisp  
 Caramelized Corn  
 Grapefruit  
 Tarragon

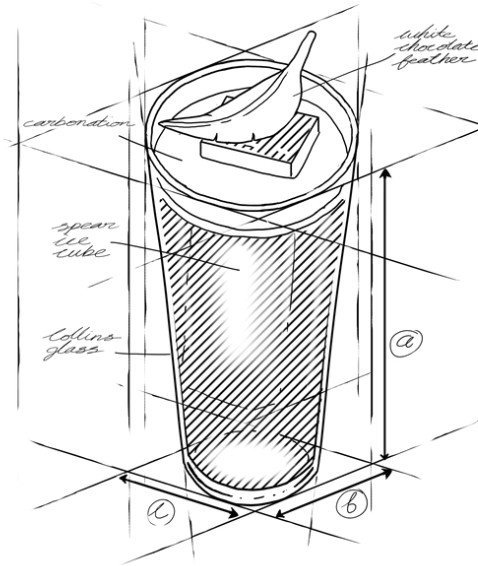


20 | HIGH LINES

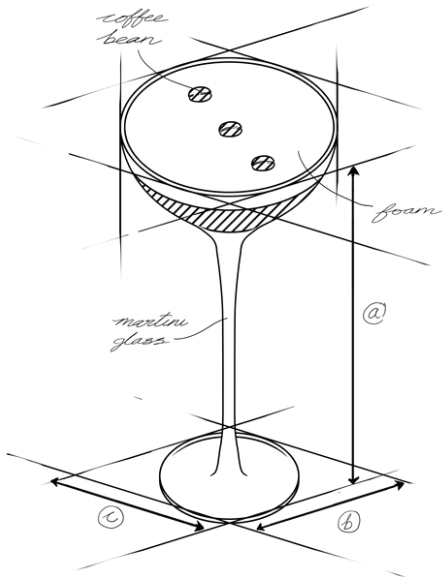
**HIGHBALL  
REFRESHING  
JUICY**



Courvoisier VSOP Cognac  
Weiss Aquavit  
Charred Blueberry  
Amaro Pasubio  
Lemongrass  
Rosé



**SIGNATURE  
COCKTAILS**



ESPRESSO MARTINI | 17

**CLASSIC  
INVIGORATING  
LUXURIOUS**



Grey Goose Vodka  
Proud Mary Espresso  
NOLA Coffee Liqueur

**NON-ALCOHOLIC**

13 ◆ **SOFT REFLECTION**

**NON-ALCOHOLIC - COMPLEX - EARTHY**

Verjus Blanc | Coffee Cordial | N/A Amaro  
Lucano

**SILVER LINING** ◆ 14

**NON-ALCOHOLIC - JUICY - HIGHBALL**

Coconut Water | Blueberry | Lemongrass | Cardamom  
N/A Sparkling Rosé

13 ◆ **FINAL HOURS**

**NON-ALCOHOLIC - TROPICAL - CRUSHABLE**

Lyre's Italian Spritz | Passionfruit |  
Condensed Milk | Cinnamon | Lime

**ESPRESSO TONIC** ◆ 12

**NON-ALCOHOLIC - ENERGIZING - BITTERSWEET**

Proud Mary Espresso | Fever  
Tree Mediterranean Tonic

# WINE

## WHITE & ROSE

- AMEZTOI, TXAKOLINA ROSE 'RUBENTIS' ♦ 15/55  
ISH SPARKLING ROSÉ (N/A) ♦ 14/50  
SANDHI, CENTRAL COAST, CHARDONNAY ♦ 15/55  
HUDSON RANCH, CARNEROS, CHARDONNAY ♦ 150

## RED

- ANCIENT PEAKS, CABERNET SAUVIGNON ♦ 16/60  
G.D. VAJRA, BARBERA D'ALBA, BAROLO ♦ 16/60  
DOMAINE J. DENUZIERE, CROZES-HERMITAGE, ♦ 75  
SYRAH

## BUBBLY

- AVINYO RESERVA BRUT CAVA ♦ 14/50  
ISH ESPUMANTE (N/A) ♦ 14/50  
VEUVE CLICQUOT BRUT YELLOW LABEL, ♦ 100  
CHAMPAGNE  
DOM PERIGNON CHAMPAGNE BRUT, 2013 ♦ 400

VIEW OUR FULL  
SPIRITS LIST



# HOUSE COCKTAILS

These are our versions of classic cocktails. Each one is made to highlight what we believe are the best traits of each cocktail.

## DAIQUIRI ♦ 15

House rum blend, Lime, Lime leaf

## MARTINI ♦ 15

Gin, Vermouth blend, Tomato, Frescatrano olive

## MARGARITA ♦ 15

Tequila, Manzanilla, Lime, Agave

## OLD FASHIONED ♦ 15

Bourbon, Maple, Gomme, Angostura Bitters

## BEER

- BEER & SHOT ♦ 7      CHAMPAGNE VELVET ♦ 5  
BELL'S TWO HEARTED ♦ 7  
HOPEWELL 'RECORD LOW' WEST COAST PILSNER ♦ 9  
BLOM MEADWORKS TART CIDER ♦ 9  
UNTITLED ARTS AMERICAN GOLD (N/A) ♦ 7

# SHAREPLATES

---

SHELBY NUT MIX ♦ 8  
choice of sweet or savory

MARINATED OLIVES ♦ 7

FROMAGE ET CHARCUTERIE ♦ 31  
chef's daily selection of meat & cheeses

## DESSERTS

---

BASQUE CHEESECAKE ♦ 12  
earl grey, cajeta casera

CHOCOLATE MOUSSE ♦ 15  
hazelnut pirouette, espresso